

Alternator Kit

Kit No. 135-7923

Installation Instructions

Loose Parts

Use the chart below to verify that all parts have been shipped.

Item No.	Part No.	Description	Qty
1	142-3499	Alternator-ASM	1
2	135-6208	Screw-HHF 3/8-16 x 1 Serrated SS	2
3	135-6613	Belt-V 3L240R	1

Item No.	Part No.	Description	Qty
4	135-7557	Strip-Trim, 3.5"	1
99*	3290-378	Tie-Cable	4

*Not illustrated

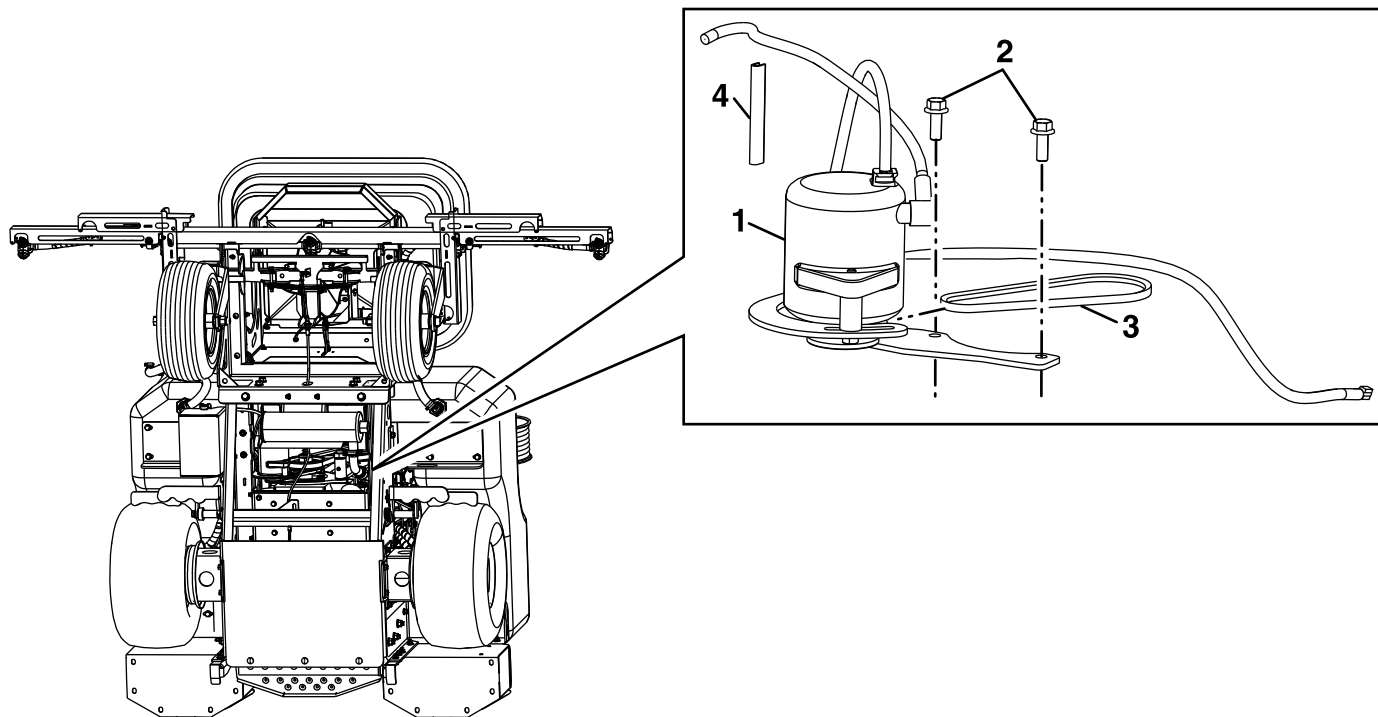


Figure 1

g309439



Safety Alert Symbol

This Safety Alert Symbol (Figure 2) is used both in this instruction sheet and on the machine to identify important safety messages which must be followed to avoid accidents

This symbol means: **ATTENTION! BECOME ALERT! YOUR SAFETY IS INVOLVED!**



Figure 2
Safety Alert Symbol

g000502

The safety alert symbol appears above information which alerts you to unsafe actions or situations and will be followed by the word **DANGER**, **WARNING**, or **CAUTION**.

DANGER: Indicates an imminently hazardous situation which, if not avoided, **Will** result in death or serious injury.

WARNING: Indicates a potentially hazardous situation which, if not avoided, **Could** result in death or serious injury.

CAUTION: Indicates a potentially hazardous situation which, if not avoided, **May** result in minor or moderate injury.

This manual uses two other words to highlight information. **Important** calls attention to special mechanical information and **Note** emphasizes general information worthy of special attention.

⚠ WARNING

While maintenance or adjustments are being made, someone could start the engine. Accidental starting of the engine could seriously injure you or other bystanders.

Remove the key from the ignition switch, engage parking brake, and pull the wire(s) off the spark plug(s) before you do any maintenance. Also push the wire(s) aside so it does not accidentally contact the spark plug(s).

Note: Determine the left and right sides of the machine from the normal operating position.

Note: Park the machine on a level surface. Make sure all moving parts have stopped, parking brake is engaged, the key has been removed, and the spark plug wire has been disconnected. Allow machine to cool before starting these instructions.

Installation Instructions

1. Make sure all moving parts have stopped, the spark plug wire has been disconnected, and the machine is cool.
2. Disconnect the negative ground cable from the battery post.

Note: It is recommended to install this kit from the underside of the machine. If this is not possible the hopper assembly may need to be removed to gain access.

3. Raise the machine up and support with jack stands (or equivalent support) just high enough to access the underside.

⚠ CAUTION

Raising the machine for service or maintenance relying solely on mechanical or hydraulic jacks could be dangerous. The mechanical or hydraulic jacks may not be enough support or may malfunction allowing the machine to fall, which could cause injury.

Do not rely solely on mechanical or hydraulic jacks for support. Use adequate jack stands or equivalent support.

4. Release the pump belt (item 4, Figure 3) tension by removing nut (item 1) from the tension rod (item 3).

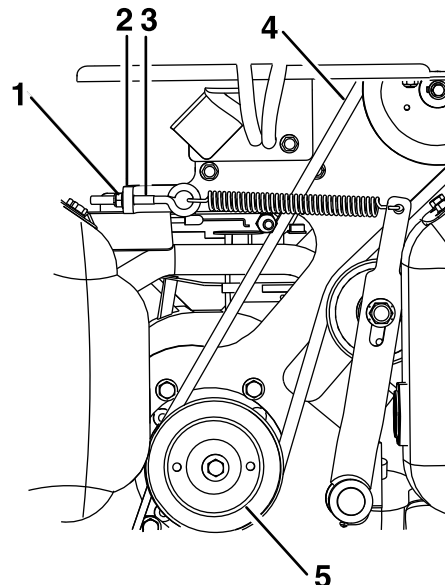


Figure 3

g308667

1. Nut
2. Pump plate tab
3. Tension rod
4. Pump belt
5. Engine pulley

5. Remove the pump belt (item 4) from the engine pulley (item 5) in [Figure 3](#).
6. Remove the two lower pump plate bolts (item 2, [Figure 4](#)).

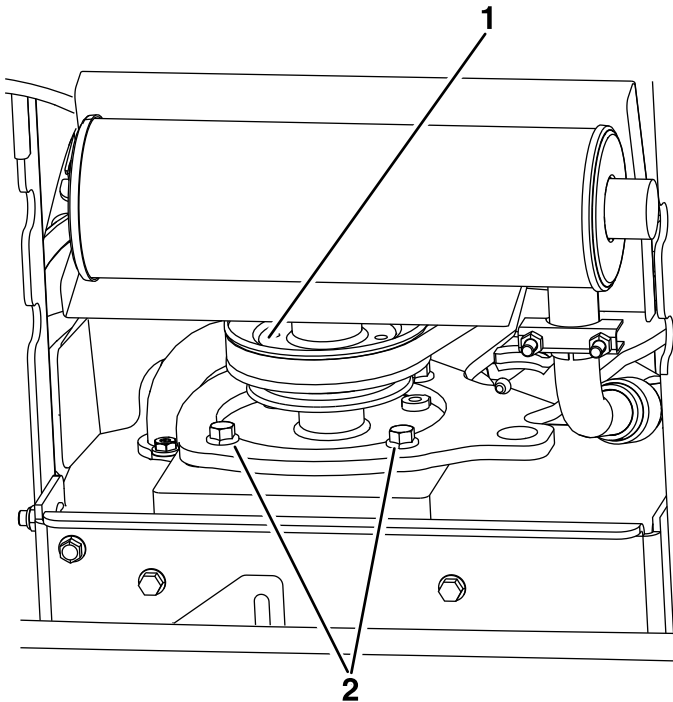


Figure 4

View from bottom of machine

g308524

1. Engine pulley
2. Lower pump plate bolts

7. Install the alternator assembly (item 6, [Figure 5](#)) to the engine using the two lower pump plate holes and the new screws (3/8-16 x 1; item 3). Torque them to 177 in-lb (20 N-m).

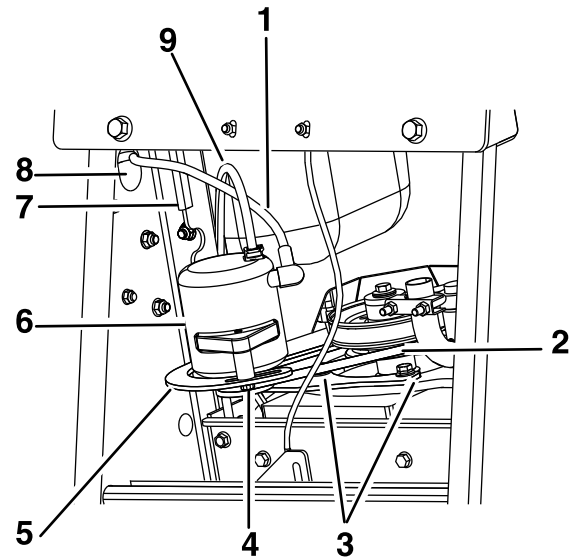
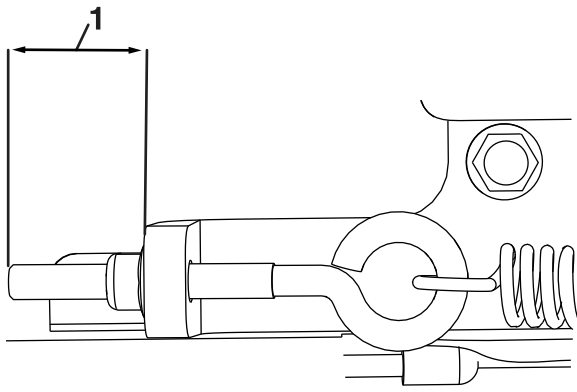


Figure 5

g308525

- | | |
|-----------------------------|------------------------|
| 1. Positive cable | 6. Alternator assembly |
| 2. Alternator belt | 7. Trim guard |
| 3. Alternator bracket bolts | 8. Frame hole |
| 4. Bolt | 9. Harness assembly |
| 5. Alternator bracket | |

8. Install the alternator belt (item 2, [Figure 5](#)) to the inside pulley closest to the engine and to the alternator assembly (item 4, [Figure 5](#)).
9. Tension the alternator belt (item 2) by rotating the alternator in the alternator bracket. Tighten the bolt (item 4, [Figure 5](#)) while keeping tension on the belt. Torque bolt to 14 ft-lb (1.58 N-m).
10. Route the positive cable (item 1) from the alternator assembly (item 6) through the frame hole (item 8).
11. Install the trim guard (item 7) to the frame as shown in [Figure 5](#).
12. Route the alternator harness (item 9, [Figure 5](#)) to the key switch making sure to route the harness so it does not get damaged during operation and zip tie.
13. Connect the alternator harness (item 9, [Figure 5](#)) to the open spade on the key switch.
14. Reinstall the pump belt (item 4, [Figure 3](#)) to the outer engine pulley (item 5). Make sure it is installed correctly on the pump pulley and idler pulley.
15. Reinstall the tension rod (item 3, [Figure 3](#)) to the pump plate hole and install the tension rod nut.
16. Tighten the tension rod nut (item 1, [Figure 3](#)) until there is 1.25 inches (3.17 cm) of tension rod extending from the pump plate tab ([Figure 6](#)).



g308737

Figure 6

1. 1.25 inches (3.17 cm)

-
17. Connect the alternator positive cable to the positive battery terminal (item 1, [Figure 5](#)).
 18. Reconnect the negative ground cable to the battery post.
 19. Carefully remove the jack stands and lower the machine to the ground.

Parts List

Item No.	Part No.	Description	Qty
1	135-6057	Alternator	1
2	135-5930	Tube-Support, Alternator	1
3	135-5929	Bracket-Alternator	1
4	3253-4	Washer-Lock 5/16	1
5	120-9642	Cap Head Screw, 1.25 mm	1
6	33095-00	Washer-Flat	2

Item No.	Part No.	Description	Qty
7	33115-050	Screw-HH M10-1.5 x 50mm	1
8	33025-00	Nut-Hex Nyloc M10-1.5	1
9	110-9346	Nut-Jam M10 Thin	1
12	135-6119	Cable-Positive (11 inches with cover)	1
13	135-6120	Harness, Alternator	1
14	1-543393	Insulator-Solenoid	1

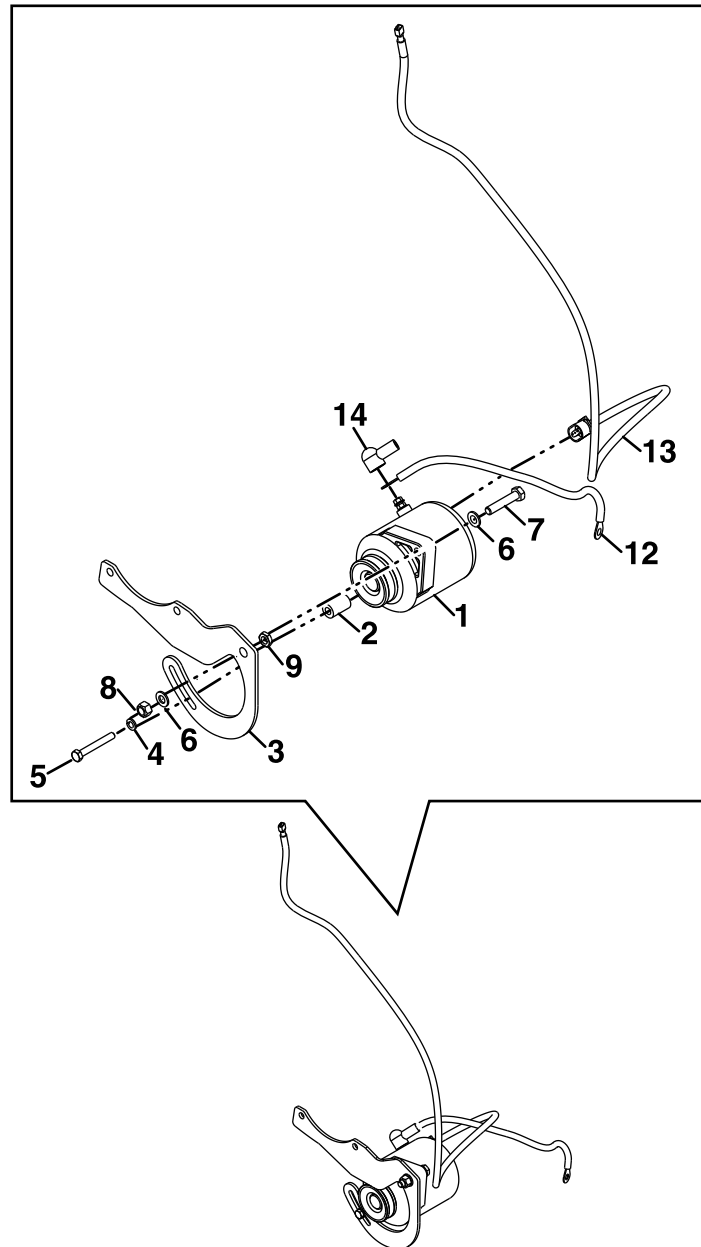


Figure 7

g308752