

Hose Reel Kit

For Models with 24 Gallon Spray System

Kit No. 142-2088

Installation Instructions

Safety

Safety Alert Symbol

This Safety Alert Symbol (Figure 1) is used both in this instruction sheet and on the machine to identify important safety messages which must be followed to avoid accidents

This symbol means: **ATTENTION! BECOME ALERT! YOUR SAFETY IS INVOLVED!**



Figure 1
Safety Alert Symbol

g000502

The safety alert symbol appears above information which alerts you to unsafe actions or situations and will be followed by the word **DANGER**, **WARNING**, or **CAUTION**.

DANGER: Indicates an imminently hazardous situation which, if not avoided, **Will** result in death or serious injury.

WARNING: Indicates a potentially hazardous situation which, if not avoided, **Could** result in death or serious injury.

CAUTION: Indicates a potentially hazardous situation which, if not avoided, **May** result in minor or moderate injury.

This manual uses two other words to highlight information. **Important** calls attention to special mechanical information and **Note** emphasizes general information worthy of special attention.

⚠ WARNING

While maintenance or adjustments are being made, someone could start the engine. Accidental starting of the engine could seriously injure you or other bystanders.

Remove the key from the ignition switch, engage parking brake, and pull the wire(s) off the spark plug(s) before you do any maintenance. Also push the wire(s) aside so it does not accidentally contact the spark plug(s).

Note: Determine the left and right sides of the machine from the normal operating position.

Note: Park the unit on a level surface. Make sure all moving parts have stopped, parking brake is engaged, the key has been removed, and the spark plug wire has been disconnected. Allow unit to cool before starting these instructions.

General Safety

Important: Before starting these instructions:

- make sure to wear the appropriate Personal Protective Equipment (PPE) and follow all safety precautions as stated in the Operator's manual.
- make sure the entire spray system has been properly cleaned.

⚠ CAUTION

Chemicals are hazardous and can cause personal injury.

- Read the directions on the chemical labels before handling the chemicals and follow all manufacturer recommendations and precautions.
- Keep chemicals away from your skin. Should contact occur, wash the affected area thoroughly with soap and clean water.
- Wear goggles, gloves, and any other protective equipment recommended by the chemical manufacturer.



Loose Parts

Use the chart below to verify that all parts have been shipped.

Item No.	Part No.	Description	Qty
1		Asm-Hose Reel	1
2	135-6110	Nut-Hex Flg 3/8-16 SS w/patch	4
3	2412-129	Clamp-Hose	1

Item No.	Part No.	Description	Qty
4	135-5745	Fitting-Elbow, 90 [1/4 NPT X 3/8 Hose barb]	1
99*	3290-378	Tie-Cable	2

*Not Illustrated

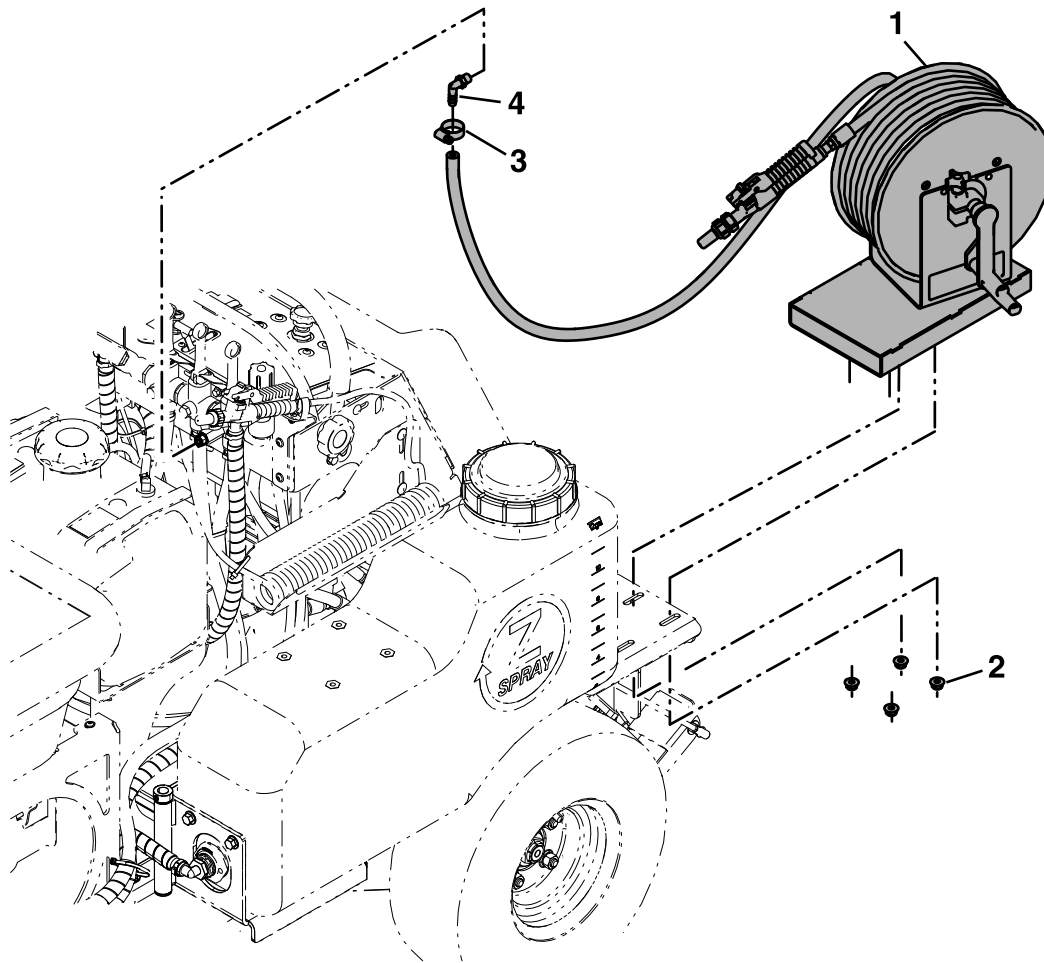


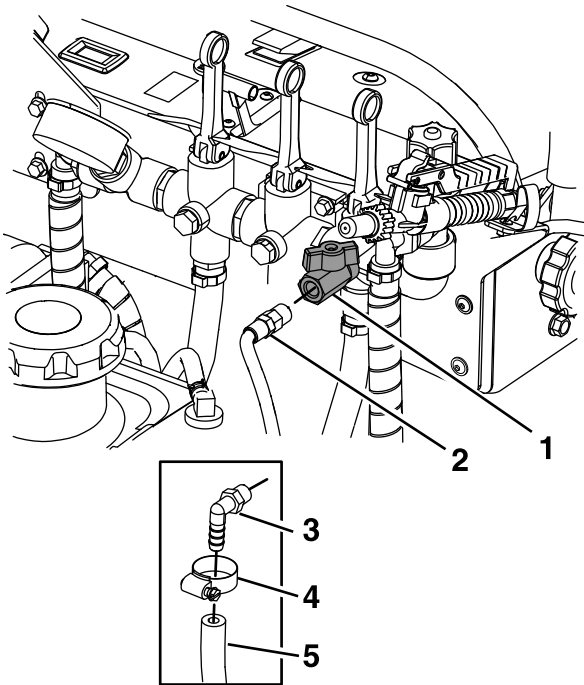
Figure 2

g286076

Installation Instructions

Note: When assembling fittings, use pipe sealant on all pipe threads.

1. Stop engine, wait for all moving parts to stop, engage the parking brake remove the key, and disconnect the negative battery cable.
2. Remove and retain the left fertilizer box and its mounting hardware.
3. Insert the hose reel mount assembly studs into the slots on the frame and secure with 3/8-16 inch stainless steel flanged nyloc nuts as shown in [Figure 2](#).
4. Unscrew and remove the spray wand fitting from the manifold (see [Figure 3](#)).



g286108

Figure 3

- | | |
|-----------------------|----------|
| 1. Manifold port | 4. Clamp |
| 2. Spray wand fitting | 5. Hose |
| 3. Elbow fitting | |

-
5. Install new elbow fitting into the manifold port (see [Figure 3](#)). Install a hose clamp onto the hose reel and insert the hose onto the elbow fitting port. Tighten the clamp to secure the hose to the fitting.
 6. Zip tie hoses away from the belt and other moving parts.
 7. Reconnect the negative battery cable.
 8. Add pure clean water to the tank. Turn the ignition key to ON and then operate the spray system and check for leaks. Repair all leaks before returning the sprayer to service.

Parts List

Item No.	Part No.	Description	Qty
1	142-0751	Mount-Hose Reel	1
2	135-5787	Reel-Hose	1
3	135-6011	Crank-Reel	1
4	126-0980	Screw-Carriage 3/8-16 x 1.00 SS	4
5	135-6110	Nut-Hex Flg 3/8-16 SS w/patch	8
6	135-5745	Fitting-Elbow, 90 [1/4" NPT - 3/8" HB]	1
7	1-513200	Fitting-Male	2

Item No.	Part No.	Description	Qty
8	135-5794	Hose-Spray, 75 ft [1/4 NPT]	1
9	135-5773	Gun-Spray, Spot	1
10	135-5778	Tip-Spray, #12 Spot	1
11	135-7369	Hose-Spray	1
12	2412-129	Clamp-Hose	1
13	135-5757	Clamp-Oetiker,	2
99*	3290-378	Tie-Cable	2

*Not Illustrated

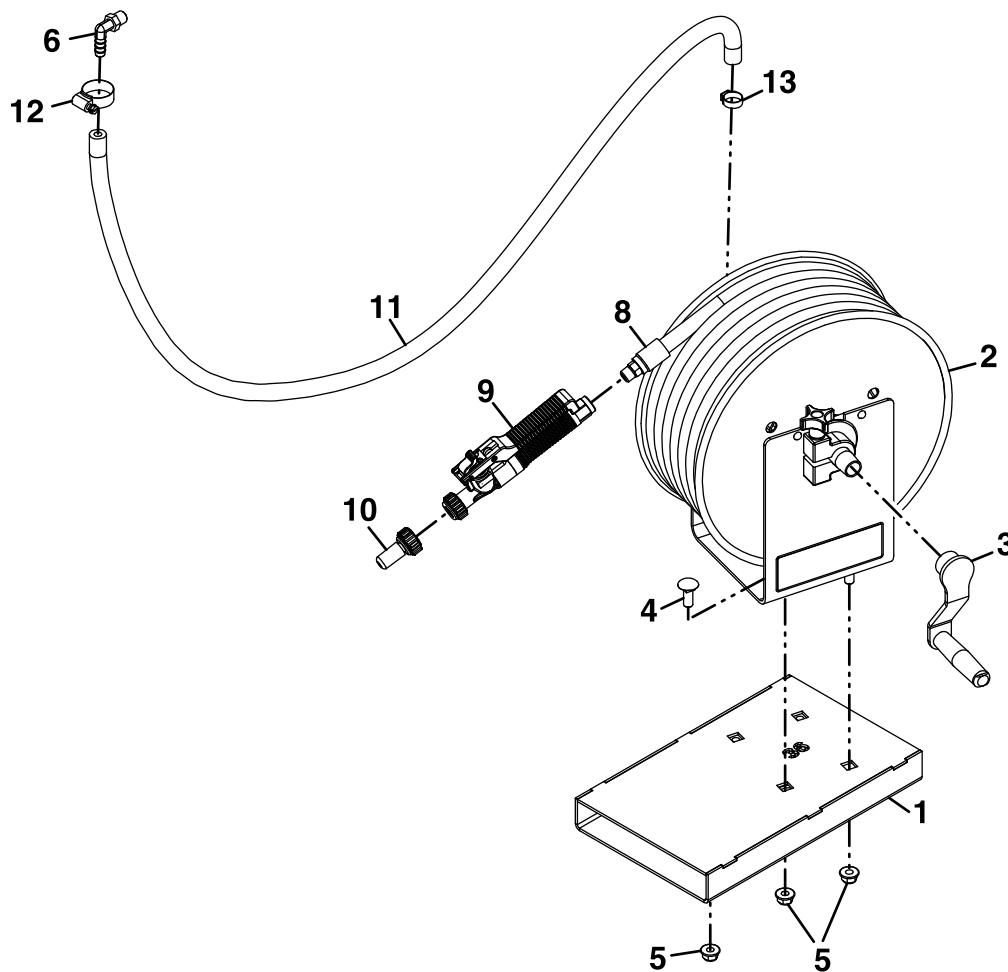


Figure 4

g286097