

Parts Catalog

30 Gallon Spray System

Model No. 135-9607—Serial No. 406294345 and Up



Ordering Replacement Parts

To order replacement parts, please supply the part number, the quantity, and the description of each part desired.

Understanding Reference Numbers

Each identified part in an illustration has a reference number. The reference number for a part also appears in the parts list, along with other information about the part.

This catalog uses two special reference number formats, one to indicate parts in a service assembly and another to indicate the quantity of a given part in an illustration.

Service Assembly Reference Numbers

Parts in service assemblies have reference numbers in the form a:b. The a represents the reference number of the entire service assembly and the b represents a sequential number unique to each part within the service assembly.

For example, a wheel assembly might be identified by reference number 6, the tire by 6:1, the valve by 6:2, and the wheel by 6:3. When you order the assembly identified by reference number 6, you receive all parts identified by reference numbers 6:1, 6:2, and 6:3. However, you may also order any part individually. Reference numbers of this type appear in illustration and in parts lists.

Reference Numbers Indicating Quantity

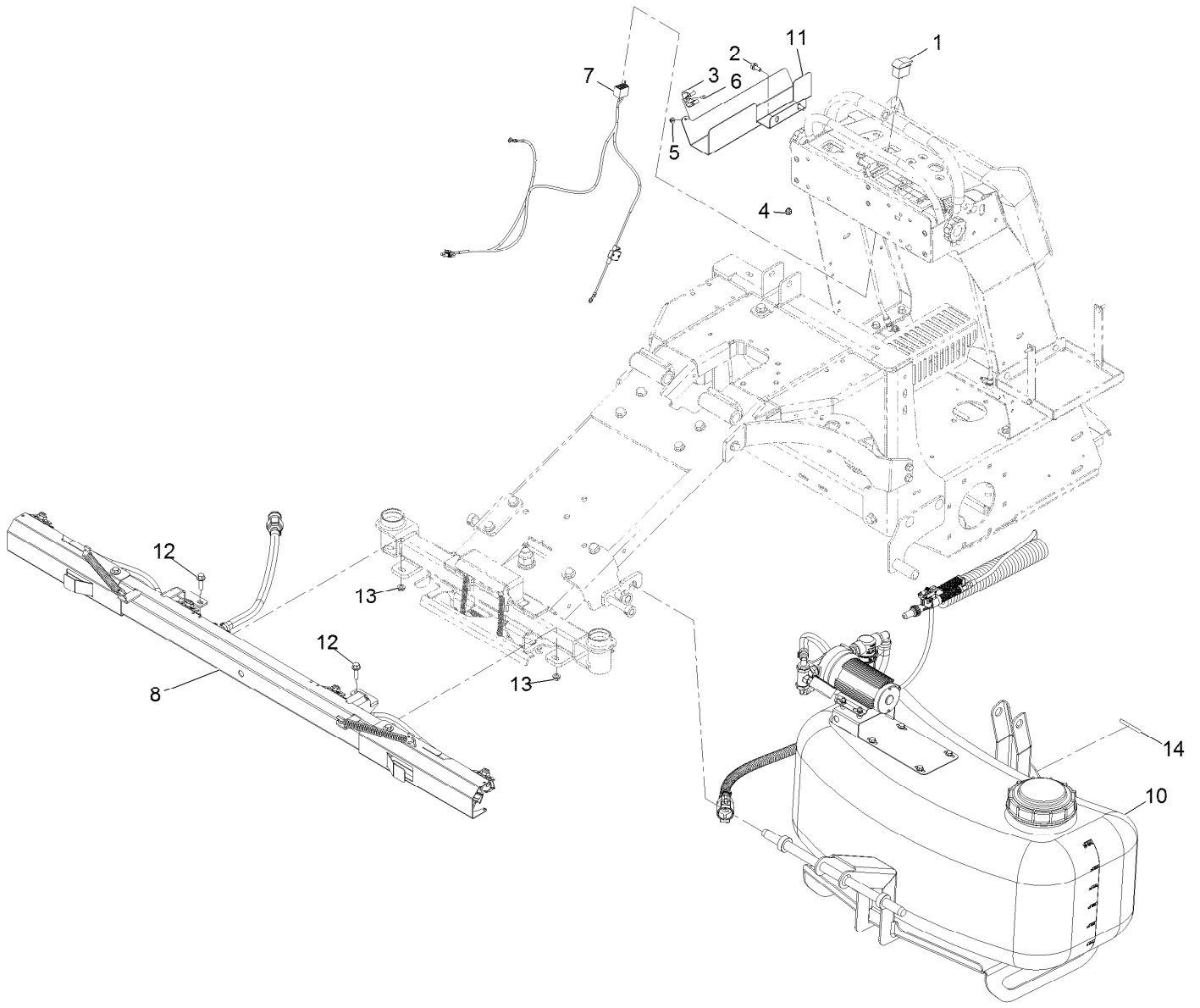
In an illustration, if a reference number indicates more than one part, the reference number has the form nX y. The n represents the quantity of the part, the X is the multiplication symbol, and the y represents the reference number.

For example, in an illustration, the reference number 2X 37 means that two of the parts identified by reference number 37 are indicated.

Contents

Spray System Assembly	4
Spray Boom.....	6
Tank Assembly	8

Spray System Assembly



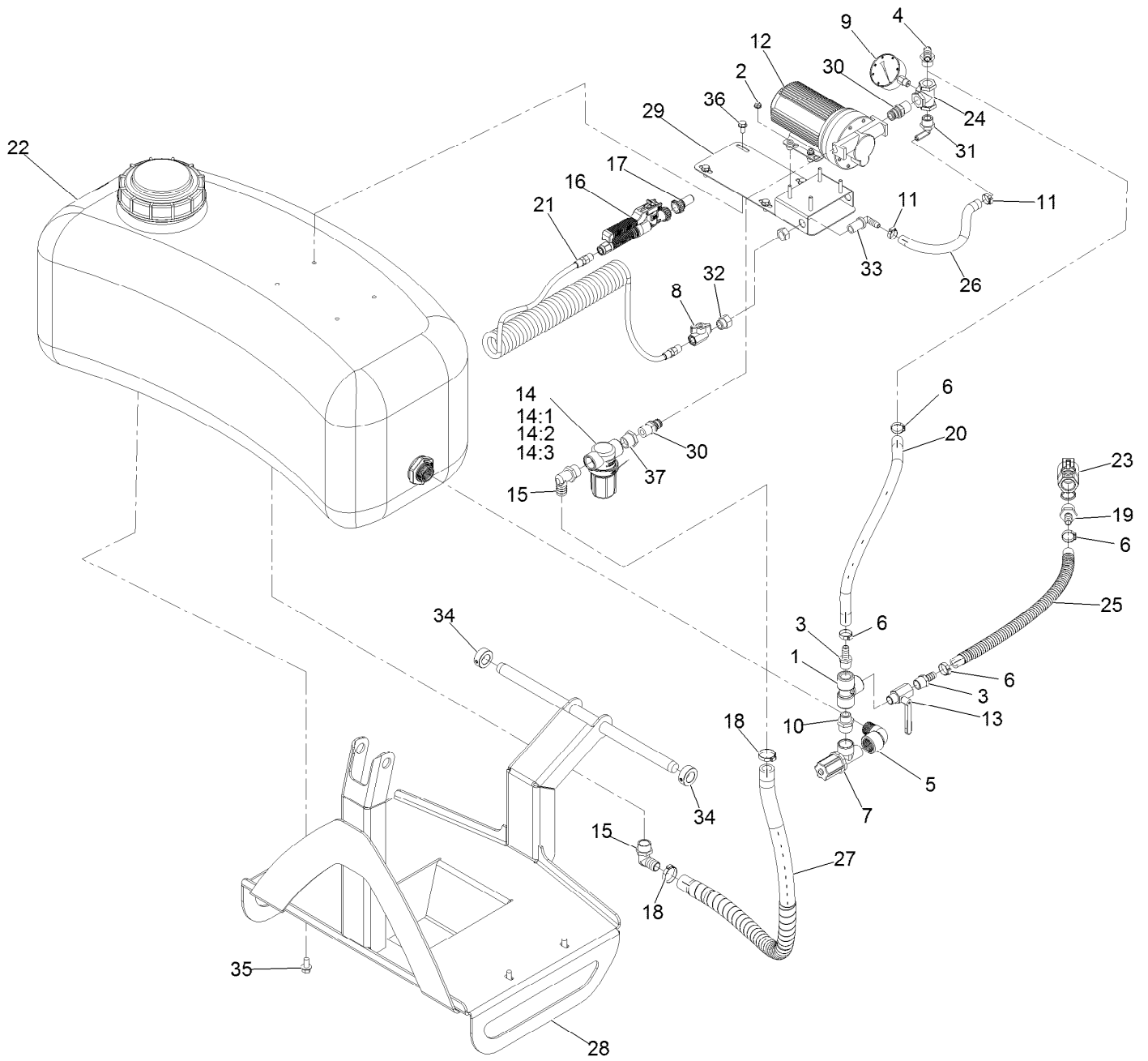
Spray System Assembly (continued)

<i>Ref.</i>	<i>Part Number</i>	<i>Qty.</i>	<i>Description</i>	<i>Ref.</i>	<i>Part Number</i>	<i>Qty.</i>	<i>Description</i>
1	100-8469	1	Switch-Rocker	8	135-7121	1	Boom-Spray 96"
2	126-2712	2	Screw-HHF 5/16-18 X 3/4 SS	10	135-8169	1	ASM, Tank, ISO, 30Gal Attach
3	135-5661	1	Holder-Tool, Clip	11	142-3008	1	Tray-Spray Gun
4	135-6109	2	Nut-Hex Flange	12	3234-24	2	Screw-HHF
5	135-6342	1	Nut-Hex Flange	13	3290-357	2	Nut-Whizlock 3/8-16
6	135-6374	1	Screw-HSBH	14	133-8061	1	Decal-Warning
7	135-6648	1	Harness-Accessory				

Spray Boom (continued)

<i>Ref.</i>	<i>Part Number</i>	<i>Qty.</i>	<i>Description</i>	<i>Ref.</i>	<i>Part Number</i>	<i>Qty.</i>	<i>Description</i>
1	126-0702	2	Screw-CARR	12	135-6297	3	Hose-Spray
2	126-3943	4	Strainer-Nozzle, 50M 5PSI Check	13	135-6299	1	Hose-Spray
3	135-2882	2	Nut-HF	14	135-6310	2	Screw-HH
4	135-5692	10	Clamp-Oetiker, 167	15	135-6598	1	Fitting-Straight
5	135-5780	2	Spring-Extension	16	135-6626	1	Adapter-Male
6	135-5781	4	Cap-Nozzle	17	135-6644	1	Hose-Spray
6:1	40998	1	Seat-Gasket	18	135-7194	1	Wing-Boom LH
7	135-5788	1	Body-Nozzle, Left	19	135-9601	1	Wld, Boom, Center, Zplug 30 Gal
8	135-5789	2	Body-Nozzle, Center	20	138-2751	1	Fitting-Tee, Barb
9	135-5790	1	Body-Nozzle, Right	21	142-0267	1	Wing-Boom RH
10	135-5791	4	Avi-110025 1/3 Spray Tip	22	1126	6	Washer-Flat
11	135-6110	4	Nut-Hex Flange				

Tank Assembly



Tank Assembly (continued)

<i>Ref.</i>	<i>Part Number</i>	<i>Qty.</i>	<i>Description</i>	<i>Ref.</i>	<i>Part Number</i>	<i>Qty.</i>	<i>Description</i>
1	94-7100	1	Tee	18	135-5890	2	Clamp-Oetiker, 167
2	104-7201	4	Nut-Nyloc 1/4-20 Flg	19	135-6598	1	Fitting-Straight
3	120-8671	2	Fitting-Hosebarb	20	135-6610	1	Hose-Spray
4	120-8673	1	Fitting-Elbow, Hosebarb	21	135-6612	1	Hose-Coiled, 15 Ft
5	132-7706	1	Elbow-90 DEG	22	135-6620	1	ASM-Tank, 30 Gal
6	135-5692	4	Clamp-Oetiker, 167	23	135-6622	1	Coupler-Female
7	135-5736	1	Valve-Throttle	24	135-6643	1	Fitting-Cross
8	135-5737	1	Valve-Chrome, 1/4	25	135-7083	1	Hose-Spray, Wrapped
9	135-5740	1	Gauge	26	135-7084	1	Hose-Spray
10	135-5742	1	Fitting-Nipple	27	135-7087	1	Hose-Spray, Wrapped
11	135-5757	2	Clamp-Oetiker, 167	28	135-8170-05	1	Base-30 Gal Attach
12	135-5759	1	Pump-5.0 GPM	29	135-8177	1	Mount-Pump, 30 Gal
13	135-5760	1	Valve-Chrome, 1/2	30	135-8338	2	3/4Qa X 1/2Mpt Fq5Ms-12
14	135-5765	1	Strainer-Inline	31	135-8341	1	Fitting-Elbow-90
14:1	126-7195	1	Bowl-Strainer	32	135-8356	1	Adapter-Outlet
14:2	126-2272	1	Gasket-Head, Line Strainer	33	135-8358	1	Fitting-Elbow-90
14:3	135-5766	1	Screen-Strainer, 50 Mesh	35	3234-1	4	Screw-HH Flg 3/8-16 X 3/4
15	135-5772	2	Fitting-Elbow, 90	36	3234-7	4	Screw-HH Flg 5/16-18 X 5/8
16	135-5773	1	Gun-Spray, Spot	37	41969	1	Reducer-Bushing, Plastic
17	135-5778	1	Tip-Spray, #12 Spot				

Notes:

Notes:

