

# Parts Catalog

## Slicer Seeder 36 Inch

Model No. 142-2038—Serial No. 406294345 and Up



# Ordering Replacement Parts

To order replacement parts, please supply the part number, the quantity, and the description of each part desired.

## Understanding Reference Numbers

Each identified part in an illustration has a reference number. The reference number for a part also appears in the parts list, along with other information about the part.

This catalog uses two special reference number formats, one to indicate parts in a service assembly and another to indicate the quantity of a given part in an illustration.

## Service Assembly Reference Numbers

Parts in service assemblies have reference numbers in the form a:b. The a represents the reference number of the entire service assembly and the b represents a sequential number unique to each part within the service assembly.

For example, a wheel assembly might be identified by reference number 6, the tire by 6:1, the valve by 6:2, and the wheel by 6:3. When you order the assembly identified by reference number 6, you receive all parts identified by reference numbers 6:1, 6:2, and 6:3. However, you may also order any part individually. Reference numbers of this type appear in illustration and in parts lists.

## Reference Numbers Indicating Quantity

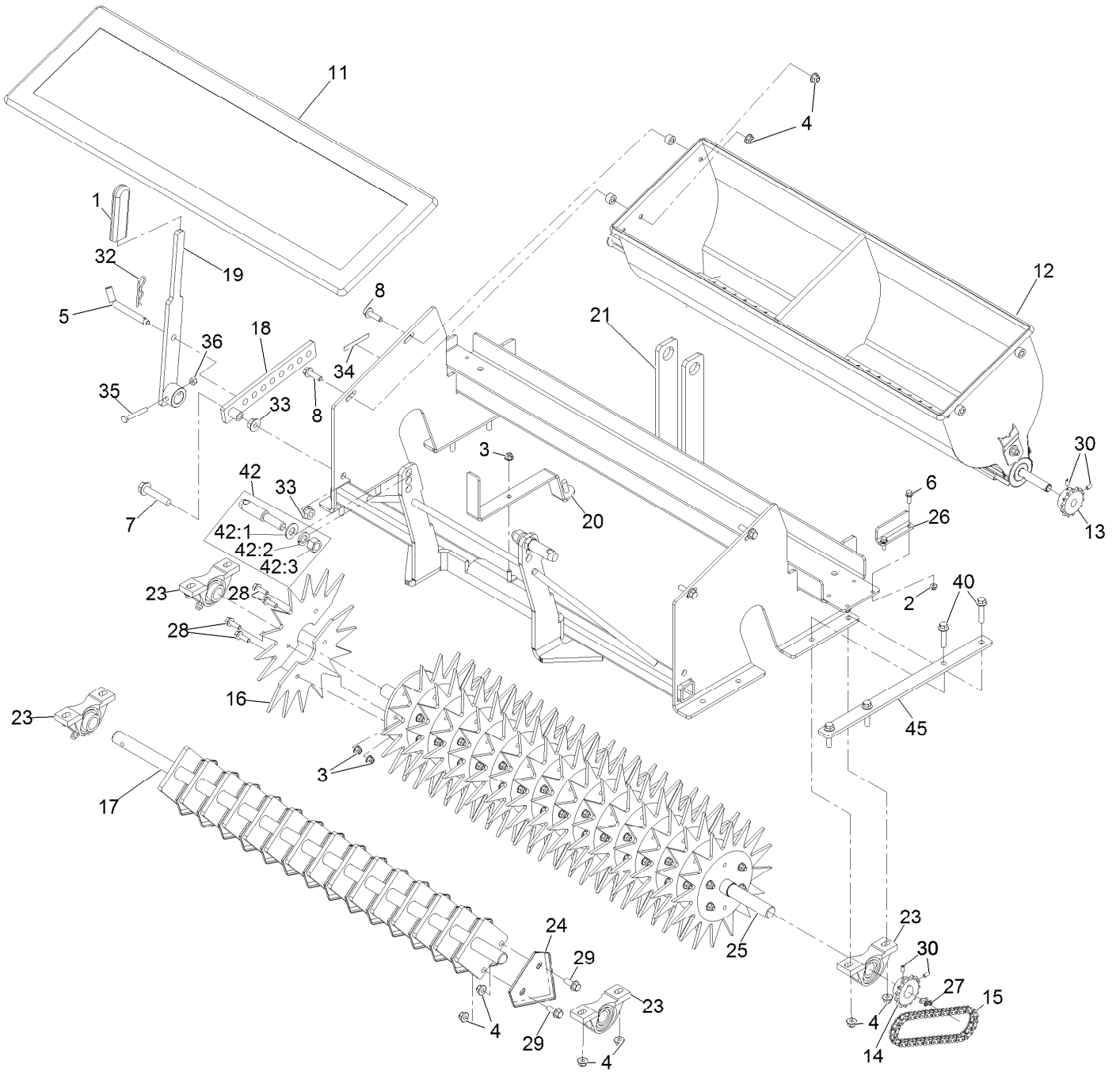
In an illustration, if a reference number indicates more than one part, the reference number has the form nX y. The n represents the quantity of the part, the X is the multiplication symbol, and the y represents the reference number.

For example, in an illustration, the reference number 2X 37 means that two of the parts identified by reference number 37 are indicated.

# Contents

Slicer Seeder Attachment Assembly .....	4
Seeder Hopper Assembly .....	6

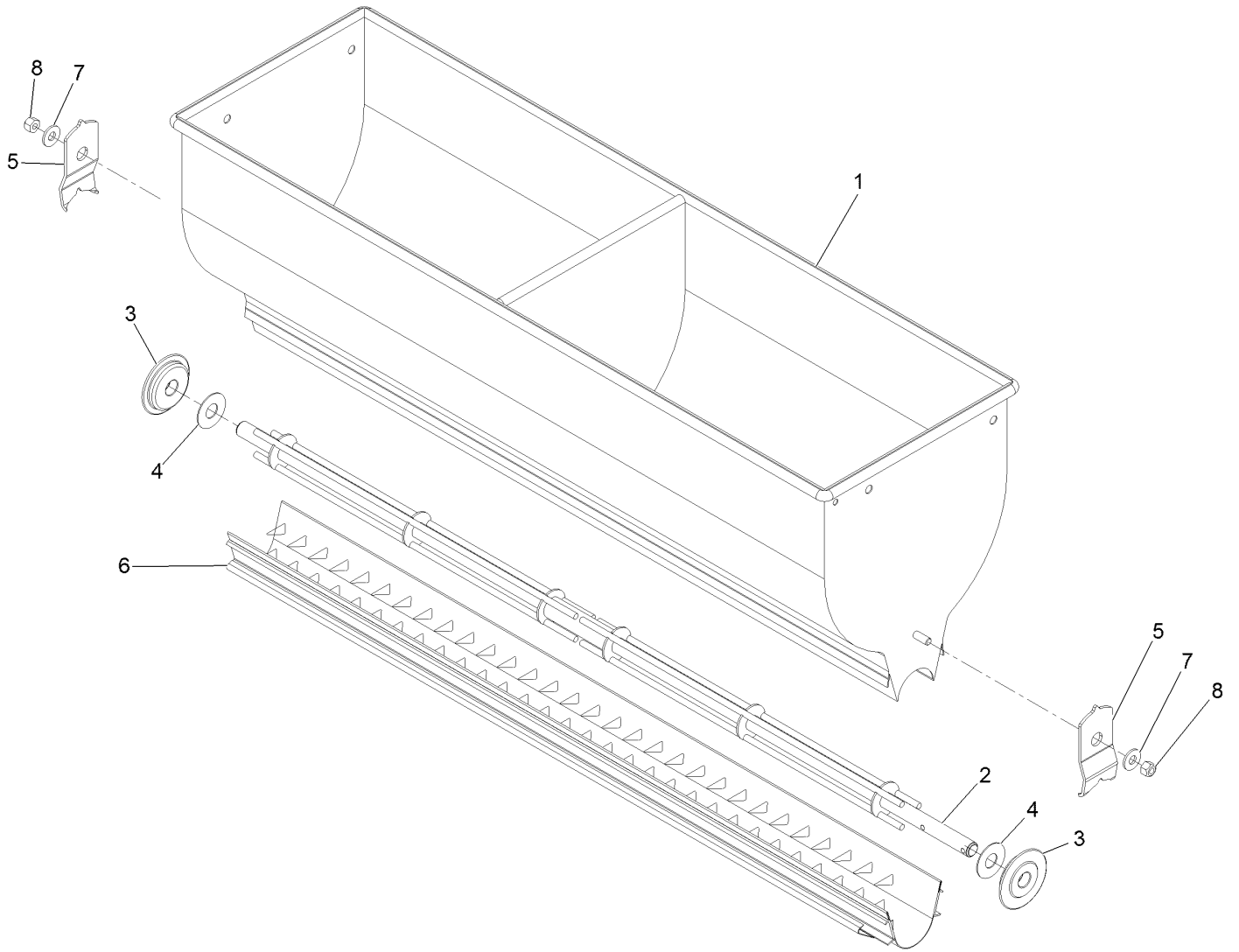
# Slicer Seeder Attachment Assembly



## Slicer Seeder Attachment Assembly (continued)

<i>Ref.</i>	<i>Part Number</i>	<i>Qty.</i>	<i>Description</i>	<i>Ref.</i>	<i>Part Number</i>	<i>Qty.</i>	<i>Description</i>
1	1-633268	1	Grip-Lever	23	135-9379	4	Bearing-Pillow Block
2	104-7201	4	Nut-Nyloc 1/4-20 Flg	24	135-9405	15	Knife-Slicing 4"
3	104-8300	65	Nut-Nyloc 5/16-18 Flg	25	142-0263-05	1	Disc-Slit Seeder [blk-Txt]
4	104-8301	42	Nut-Nyloc 3/8-16 Flg	26	142-1650-05	2	Bracket-Weight [blk-Txt]
5	135-9413	1	1/2 X 4-3/4 Bent Pin	27	2710-11	1	Link-Chain
6	120-9678	4	Screw-HHF	28	3234-29	64	Screw-HH Flg 5/16-18 X 1
7	127-7444	1	Screw-HHF	29	3234-42	30	Screw HHF 3/8-16 X 1
8	119-4061	4	Screw-HHF	30	3245-9	4	Screw-Set, HSH
11	135-8482	1	Slit Seeder Drop Cover	32	3290-355	1	Pin-Hair
12	135-8544	1	Hopper-36 In. Seeder	33	32128-49	2	Nut-Whizlock 1/2-13
13	135-8546	1	Sprocket-15T	34	133-8061	1	Decal-Warning
14	135-8547	1	Sprocket-15T	35	322-11	1	Screw-HH
15	135-8549	1	Chain-Roller	36	3296-29	1	Nut-Lock, NI
16	135-9312-05	32	Star, Slit Seeder	40	3234-19	8	Screw-HHF
17	135-9322-05	1	Shaft-Sq Plate [blk-Txt]	42	142-3075	2	Pin-Lift
18	135-9325-05	1	Arm-Ctrl. Seeder [blk-Txt]	42:1	3256-27	1	Washer-Flat
19	135-9327-05	1	Handle-Slit Seeder [blk-Txt]	42:2	3253-8	1	Washer-Lock 5/8
20	135-9329-05	1	Handle-Gate [blk-Txt]	42:3	3219-6	1	Nut-Hex 5/8-18
21	135-9349-05	1	Frame-Seeder, Slit [blk-Txt]	45	142-3007-05	2	Plate-Doubler

# Seeder Hopper Assembly



## Seeder Hopper Assembly (continued)

<i>Ref.</i>	<i>Part Number</i>	<i>Qty.</i>	<i>Description</i>	<i>Ref.</i>	<i>Part Number</i>	<i>Qty.</i>	<i>Description</i>
1	135-7033	1	Hopper-36 In. Seeder	5	135-7039	2	Retainer-End Bearing
2	135-7034	1	Rotor-Bar 36 In. Seeder	6	135-7484	1	Slide-Metering Gate
3	135-7035	2	Bearing-End Hopper	7	3256-3	2	Washer-5/16 Std
4	135-7036	2	Washer	8	1-513959	2	Wingnut-Nylock

